



# Microwave Combination Ovens

FGMC3065K W/B

30" Electric

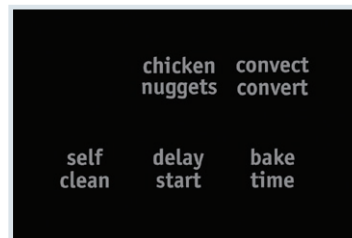


## Signature Features



### Quick Preheat

Preheat in less than six minutes.<sup>1</sup>



### Effortless™ Convection

Takes the guesswork out of convection cooking — our oven does the converting for you.



### True Convection

Multi-rack baking is faster and more even with True Convection.



### Fits-More™ Microwave Oven

Extra-large microwave provides 2.0 cu. ft. of cooking space.

## Product Dimensions

Height	42-3/4"
Width	30"
Depth	24-1/2"

## More Easy-To-Use Features

### Effortless™ Reheat

Reheat almost anything with the touch of a button.

### Express-Select® Controls

Easily set cooking temperature or choose one-touch cooking options.

### One-Touch Keep Warm Setting

Just one touch of a button keeps food warm until everything — and everyone — is ready.

### One-Touch Options

Our ovens feature easy-to-use one-touch buttons so you can cook pizza or chicken nuggets — or even add a minute to the timer — with the touch of a button.

### SpaceWise® Half Rack

Flexible rack system that adjusts to cook multiple dishes at once. Remove the half rack and you'll have extra height for tall dishes.

### Chicken Nugget Button

Easily bake perfect chicken nuggets with the touch of a button.

### Pizza Button

Easily bake perfect pizza with the touch of a button.

### Even Baking Technology

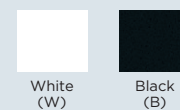
Our latest technology ensures even baking every time.

### Add-a-Minute

Easily add a minute to the oven timer in the middle of a cycle without resetting.

Sabbath Mode (Star-K® Certified)

## Available in:

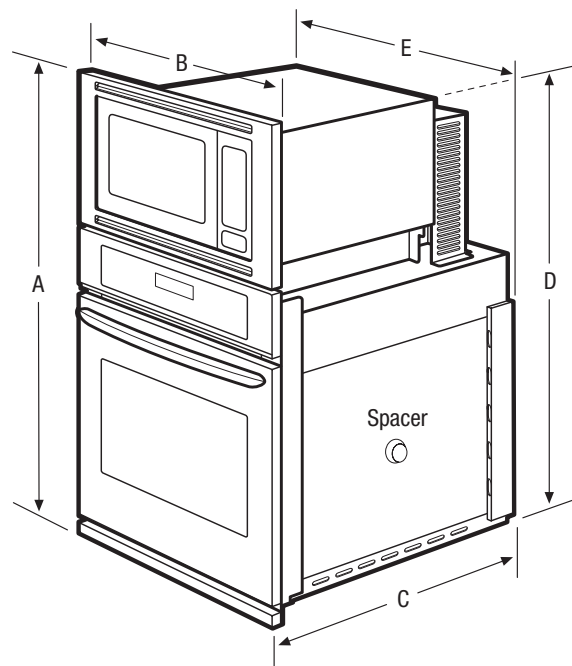


White  
(W)

Black  
(B)

<sup>1</sup>Based on single rack cooking performance, not set temperature, using Quick Preheat.

Features	
Control/ Timing System	Express-Select*
Exterior Door Finish	Color-Coordinated
Handle Design	Color-Coordinated
Microwave Features	
Microwave Capacity (Cu.Ft.)	2.0
Window	Large
Interior Light	Yes
Interior Color	White
Turntable Diameter	16"
Turntable On/Off	Yes
Control Lock/ Clock	Yes/ Yes
Touch Pad Buttons	28
Power Levels	10
Microwave Control Options	
Popcorn Button	Yes
Chicken Nugget Button	Yes
Baked Potato Button	Yes
Reheat Button/Snack Button	Yes/ Yes
Auto Melt/ Soften Options	4
Auto Reheat Options	3
Snack Menu Options	3
Auto Cook Options	3
Auto Defrost Options	6
Keep Warm/ Add-30-Seconds	Yes/ Yes
Sensor Cooking Options	5
Vegetable Cook Sensor	Yes
Delay Start/ User Preferences	Yes/ Yes
Oven Features	
Oven Capacity (Cu.Ft.)	4.2
Oven Window	Extra-Large
Oven Lights	2
Hidden Bake Element	Yes
Convection System	True Convection
Baking System	Even Baking Technology
Broiling System	Power Broil
Quick Preheat	Yes
Bake/ Broil Element (Watts)	2,200/ 4,000
Oven Rack Configuration	1 Heavy Duty, 1 SpaceWise® Half Rack, 1 Offset Rack
Oven Cleaning System	Quick Clean
Oven Controls	
Convection Conversion	Effortless™
My Favorite	
Chicken Nugget Button	Yes
Pizza Button	Yes
Keep Warm/ Add-a-Minute	Yes/ Yes
Optional Accessories	
3"-High White Bottom Trim	PN # 318259703
3"-High Black Bottom Trim	PN # 318259704
Certifications	
Sabbath Mode (Star-K® Certified)	Yes
Specifications	
Microwave Oven Interior (H x W x D)	10-1/2" x 17-3/8" x 18-5/8"
Oven Interior (H x W x D)	16-1/2" x 24-1/8" x 18-1/32"
Power Supply Connection Location	Middle Bottom Rear
Voltage Rating	240V/ 208V/ 60Hz
Connected Load (kW Rating) @ 240/ 208 Volts	7.0/ 6.0
Amps @ 240/ 208 Volts	29.2/ 28.9
Minimum Circuit Required (Amps)	30
Shipping Weight (Approx.)	250 Lbs.



NOTE: For planning purposes only. Always consult local and national electric codes. Refer to Product Installation Guide for detailed installation instructions on the web at [frigidaire.com](http://frigidaire.com).



Product Dimensions	
A - Height	42-3/4"
B - Width	30"
C - Depth	24-1/2"
D - Height (Wrapper)	40-15/16"
E - Width (Wrapper)	28-1/4"
Depth with Door Open 90°	45-1/2"

Cutout Dimensions	
Height (Min.)/ (Max.)	41-1/8" / 41-1/4"
Width (Min.)/ (Max.)	28-1/2" / 29"
Depth (Min.)	23-1/2"

Accessories information available on the web at [frigidaire.com](http://frigidaire.com)

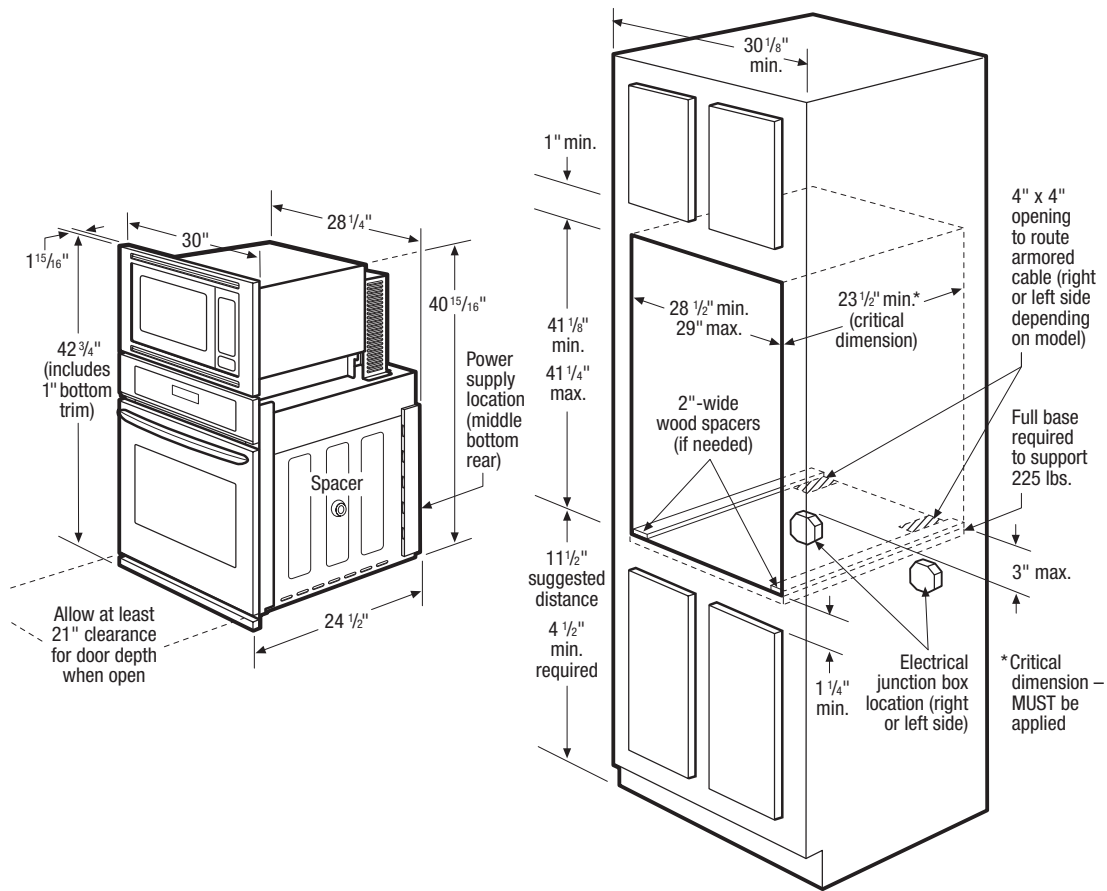
**FRIGIDAIRE**

USA • 10200 David Taylor Drive • Charlotte, NC 28262 • 1-800-FRIGIDAIRE • [frigidaire.com](http://frigidaire.com)  
CANADA • 5855 Terry Fox Way • Mississauga, ON L5V 3E4 • 1-800-265-8352 • [frigidaire.ca](http://frigidaire.ca)

FGMC3065K 03/11

© 2011 Electrolux Home Products, Inc.

Specifications subject to change. Printed in the U.S.A.



## Microwave Combination Oven Specifications

- Product Shipping Weight (approx.) - 250 Lbs.
- Single phase 3- or 4-wire cable, 120/240 or 120/208 Volt, 60 Hertz AC only electrical supply with ground required on separate circuit fused on both sides of line.
- Connected Load (kW Rating) @ 240/208 Volts = 7.0/6.0kW
- Amps @ 240/208 Volts = 29.2/28.9 Amps
- Recommended Circuit Breaker - 30 Amps
- Always consult local and national electric codes.
- Minimum 21" clearance for oven door depth when open.
- Suggested distance from floor is 11-1/2". Minimum required distance is 4-1/2".
- To adapt Microwave Combination Oven to fit cutout height greater than 41-11/16", add one 2"-wide wood shim of appropriate height to each side of opening under oven side rails. Lifting oven will hide larger cutout opening at top and oven's 1"-high bottom trim will hide shims at bottom. (Standard 1"-High Bottom Trim included.)

- To adapt Microwave Combination Oven to fit cutout height greater than 42-3/16", optional 3"-High Bottom Trim available.
- Minimum 23-1/2" deep cutout dimension is critical for proper installation, to ensure that oven's faceplate will fit flush against cabinet front.
- Full oven base of solid plywood or similar material required, capable of supporting 225 Lbs.
- Base must be level and cabinet front must be square.
- Microwave Combination Ovens are NOT approved to be used in stackable or side-by-side installation.

**Note:** For planning purposes only. Refer to Product Installation Guide on the web at [frigidaire.com](http://frigidaire.com) for detailed instructions.

## Optional Accessories

- 3"-High White Bottom Trim - (PN# 318259703).
- 3"-High Black Bottom Trim - (PN# 318259704).